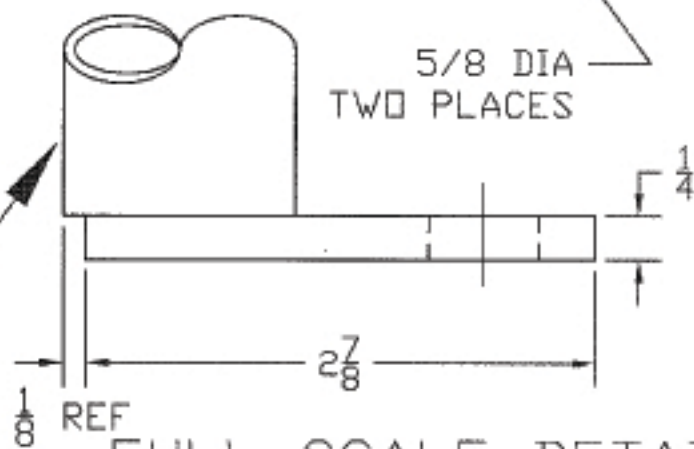
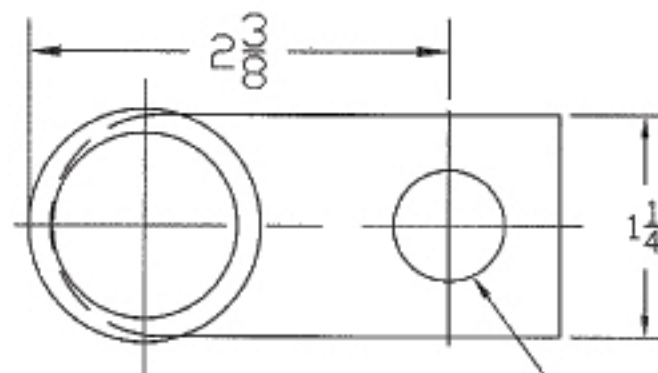
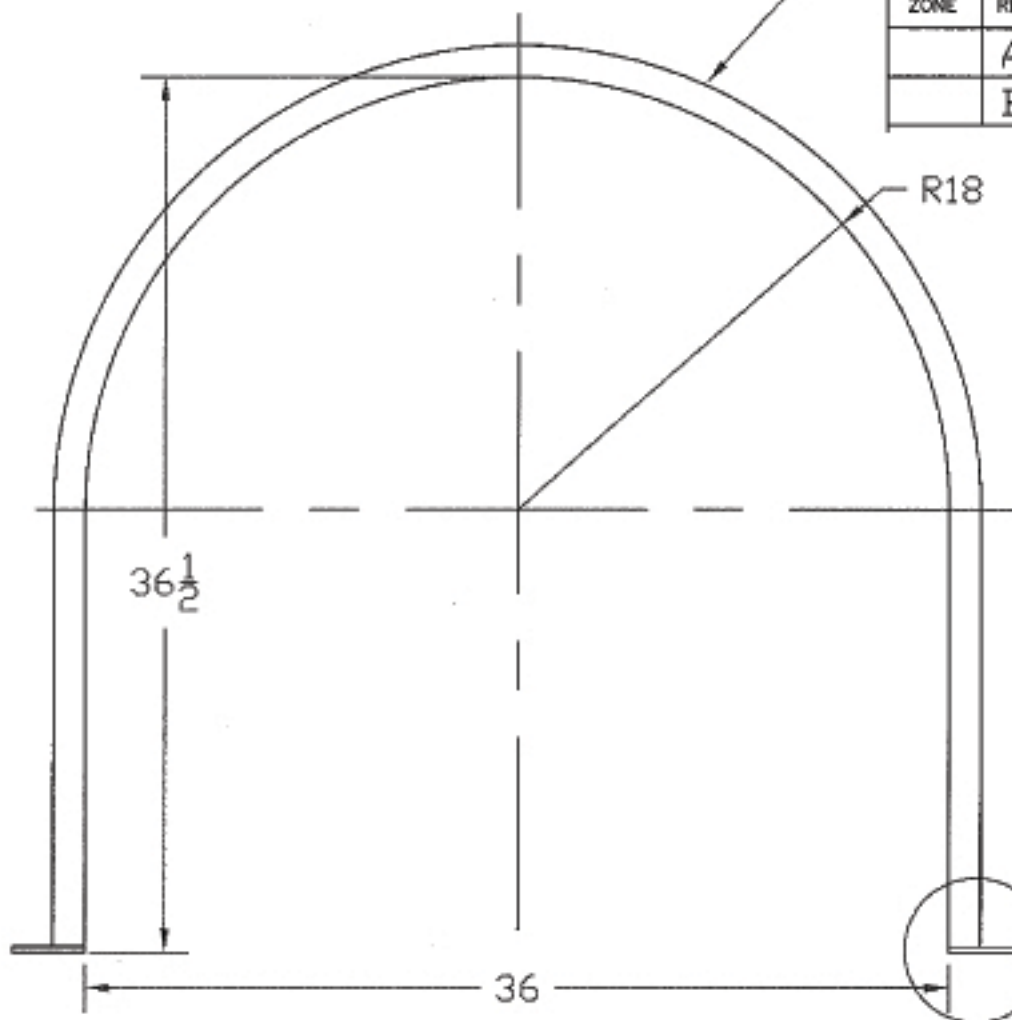


1" PIPE (1.31" OD) W/ .120" WALL

| REVISIONS | | | | |
|-----------|-----|-------------------|---------|----------|
| ZONE | REV | DESCRIPTION | DATE | APPROVED |
| | A | REDRAWN | 10SEP97 | |
| | B | REVISED & REDRAWN | 14JAN04 | |



FULL SCALE DETAIL

NOTE: WELD WITH LOW HYDROGEN ROD

FINISH: HOT DIPPED GALVANIZED

THIS DRAWING MODIFIED WITH
NARROWER FOOT.



BAND 325 GALLON
HORIZONTAL TANKS

JTP 14JAN04

SIZE A FSCM NO.

DWG NO.

REV B

SCALE 1/8

SHEET